



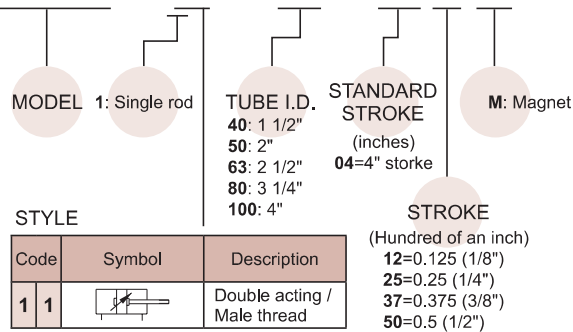
Table for standard stroke

Tube I.D	Stroke (inch)	Max. stroke (inch)
<b>40:</b> 1 1/2"	1, 2, 3, 4, 5, 6, 8, 10, 12, 14, 16, 18, 20	70
<b>50:</b> 2"	1, 2, 3, 4, 5, 6, 8, 10, 12, 14, 16, 18, 20, 24	80
<b>63:</b> 2 1/2"	1, 2, 3, 4, 5, 6, 8, 10, 12, 14, 16, 18, 20, 24	100
<b>80:</b> 3 1/4"	1, 2, 3, 4, 5, 6, 8, 10, 12, 14, 16, 18, 20, 24	
<b>100:</b> 4"		

\* Intermediate stroke are available, please contact us.

### Order example

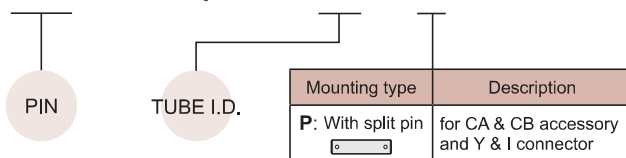
MCQN - 11 - 40 - 0425M



\* Order example for special specification, refer to page 0-7.

### Pin

PIN - MCQN - 40 - P



### Features

#### ■ Non lubrication

Special housing and bushing enables self lubrication of piston rod.

#### ■ High quality long service life

Hard anodised aluminium cylinder tubes offer a high resistance to corrosion and low internal friction.

#### ■ Full range of NFPA interchangeable mounting configurations

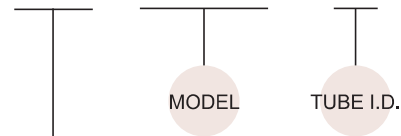
Mounting dimensions are in accordance with ANSI (NFPA) T3.6.7 R2-1996, fluid power systems and products-square head industrial cylinders-mounting dimensions.

### Specification

Model	MCQN				
Tube I.D. (inch)	1 1/2"	2"	2 1/2"	3 1/4"	4"
Port size	NPT3/8		NPT1/2		
Medium	Air				
Operating pressure range	0.05~1 MPa				
Proof pressure	1.5 MPa				
Ambient temperature	-5~+60°C (No freezing)				
Available speed range	50~500 mm/sec				
Sensor switch	RCA (Please refer to page 8-8)				
Sensor switch holder	HV1	HV2	HV2	HV3	HV3

### Mounting accessories

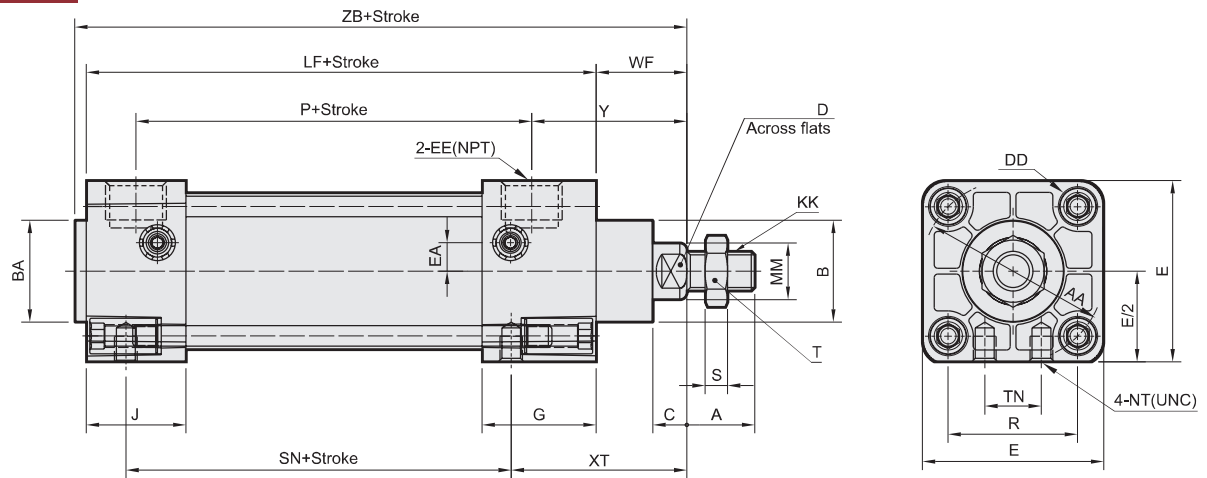
FAC - MCQN - 40



#### MOUNTING TYPE

	LB
	CA
	CB
	CB2
	FAC
	FBC
	TC
	Y
	I

**11**



Unit: inch

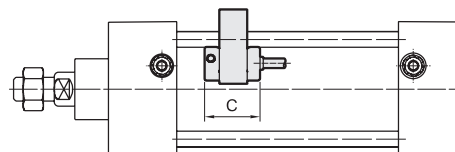
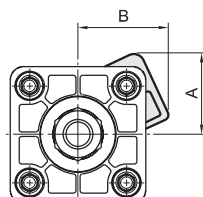
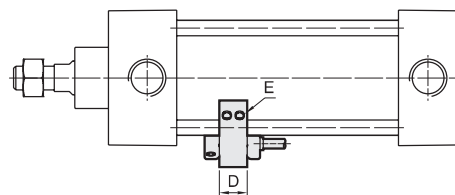
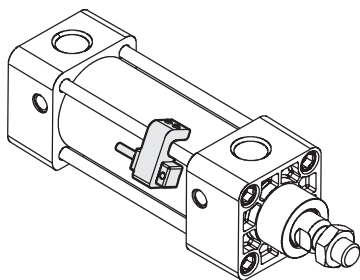
Code Tube I.D.	A	AA	B	BA	C	D	DD	E	EA	EE	G	J	KK	LF	MM	NT	P	R	S	SN
40	0.75	2.02	1.125	1.125	0.375	0.56	1/4-28	2	0.32	3/8	1.26	1.10	7/16-20	3.625	0.625	1/4-20×0.28 dp	2.36	1.43	0.26	2.25
50	0.75	2.60	1.125	1.125	0.375	0.56	5/16-24	2.5	0.43	3/8	1.26	1.06	7/16-20	3.625	0.625	5/16-18×0.44 dp	2.40	1.84	0.26	2.25
63	0.75	3.10	1.125	1.125	0.375	0.56	5/16-24	3	0.47	3/8	1.30	1.06	7/16-20	3.75	0.625	3/8-16×0.59 dp	2.48	2.19	0.26	2.38
80	1.125	3.90	1.5	1.5	0.5	0.88	3/8-24	3.75	—	1/2	1.57	1.18	3/4-16	4.25	1	1/2-13×0.63 dp	2.72	2.76	0.42	2.63
100	1.125	4.70	1.5	1.5	0.5	0.88	3/8-24	4.5	—	1/2	1.57	1.18	3/4-16	4.25	1	1/2-13×0.63 dp	2.72	3.32	0.42	2.63

Code Tube I.D.	T	TN	WF	XT	Y	ZB
40	0.69	0.63	1	1.94	1.71	4.75
50	0.69	0.88	1	1.94	1.71	4.75
63	0.69	1.25	1	1.94	1.75	4.88
80	1.12	1.50	1.38	2.44	2.34	5.83
100	1.12	2.06	1.38	2.44	2.34	5.83

### ■ Installation of sensor switch

Unit: inch

Code Tube I.D.	Sensor switch	Hold	A	B	C	D	E
40	RCA	HV1	1.10	1.47	1.02	0.51	M4×10L
50	RCA	HV2	1.49	1.68	1.02	0.51	M4×10L
63	RCA	HV2	1.66	1.86	1.02	0.51	M4×10L
80	RCA	HV3	1.87	2.13	1.02	0.51	M4×10L
100	RCA	HV3	2.15	2.42	1.02	0.51	M4×10L



# MCQN Mounting accessories 40~100 (ø1 1/2"~ø4")

STANDARD CYLINDER



## Cylinder weight

Unit: kg

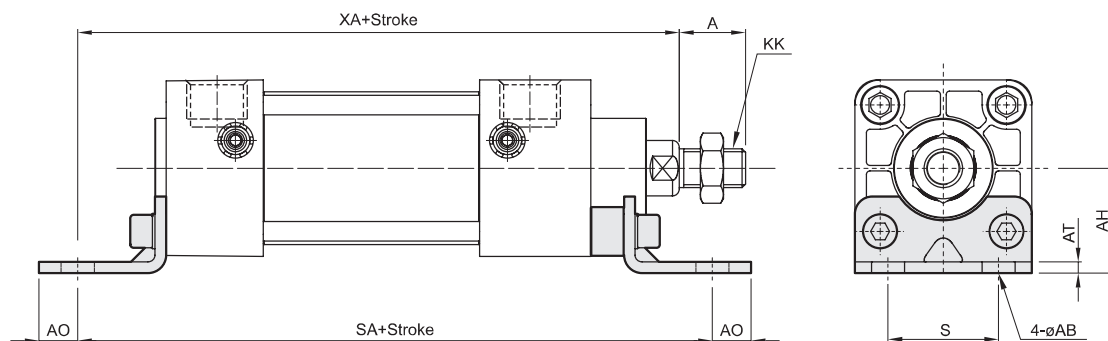
Model	Basic weight MCQN-11	Basic weight (magnet) MCQN-11	Stroke 1 inch MCQN-11
Tube I.D.			
40	0.664	0.676	0.078
50	0.965	0.981	0.096
63	1.314	1.334	0.108
80	2.482	2.510	0.200
100	3.266	3.300	0.220

## Accessories weight

Unit: kg

Model	LB	CA	CB	CB2	FAC/FBC	TC	Y	I	PIN
Tube I.D.									
40	0.160	0.285	0.229	0.287	0.246	0.554	0.205	0.150	0.065
50	0.240	0.394	0.377	0.424	0.403	0.644	0.205	0.150	0.065
63	0.300	0.531	0.521	0.563	0.576	0.840	0.205	0.150	0.065
80	0.633	1.511	1.302	1.482	1.408	1.098	0.662	0.522	0.175
100	0.955	2.047	1.821	2.033	2.015	1.450	0.662	0.522	0.175

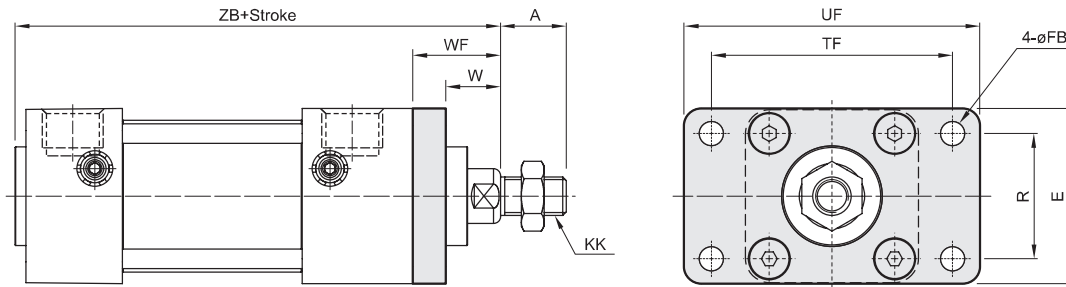
## LB



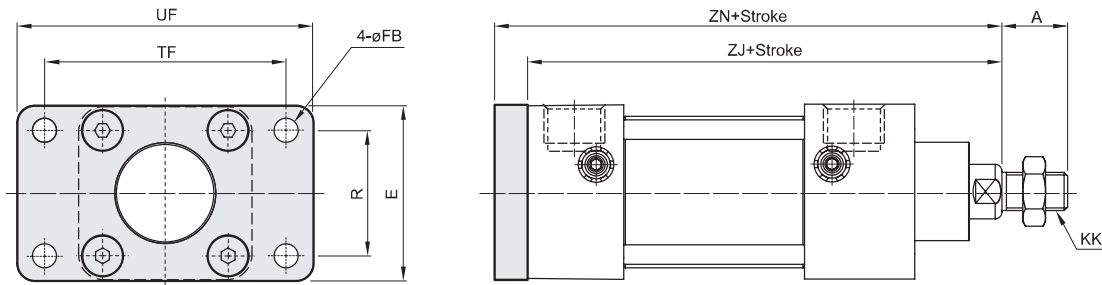
Unit: inch

Code Tube I.D.	A	AB	AH	AT	AO	KK	S	SA	XA
40	0.75	0.38	1.19	0.13	0.44	7/16-20	1.25	6	5.63
50	0.75	0.38	1.44	0.13	0.56	7/16-20	1.75	6	5.63
63	0.75	0.38	1.63	0.13	0.56	7/16-20	2.25	6.13	5.75
80	1.125	0.5	1.94	0.17	0.75	3/4-16	2.75	7.38	6.88
100	1.125	0.5	2.25	0.23	0.75	3/4-16	3.5	7.38	6.88

### FAC



### FBC



Unit: inch

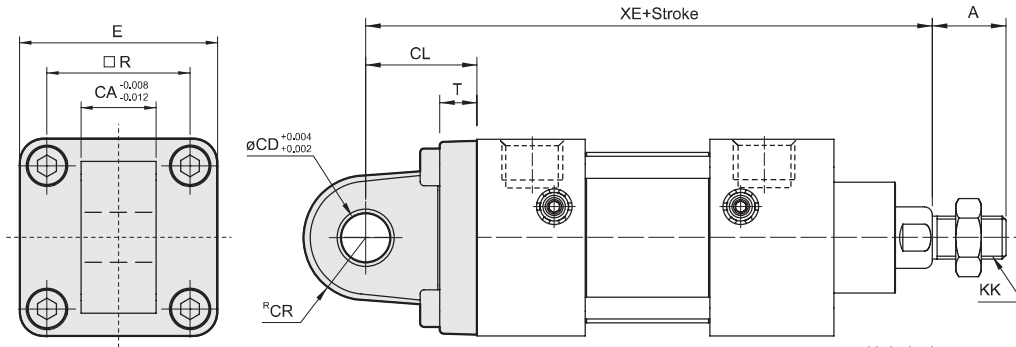
Code Tube I.D.	A	E	FB	KK	R	TF	UF	W	WF	ZB	ZJ	ZN
40	0.75	2	0.25	7/16-20	1.43	2.75	3.38	0.63	1	4.75	4.63	5
50	0.75	2.5	0.31	7/16-20	1.84	3.38	4.13	0.63	1	4.75	4.63	5
63	0.75	3	0.31	7/16-20	2.19	3.88	4.63	0.63	1	4.88	4.75	5.13
80	1.125	3.75	0.38	3/4-16	2.76	4.68	5.50	0.75	1.38	5.83	5.63	6.25
100	1.125	4.5	0.38	3/4-16	3.32	5.44	6.25	0.75	1.38	5.83	5.63	6.25

# MCQN Mounting accessories 40~100 (ø1 1/2"~ø4")

STANDARD CYLINDER



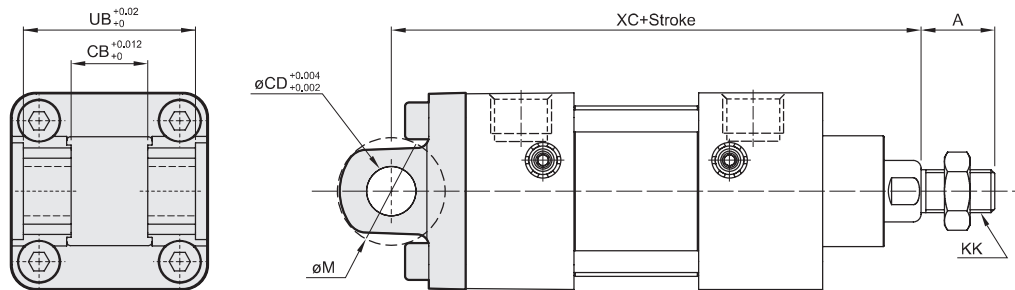
## CA



Unit: inch

Code Tube I.D.	A	CA	CD	CL	CR	E	KK	R	T	XE
40	0.75	0.75	0.5	1.125	0.63	2	7/16-20	1.43	0.375	5.75
50	0.75	0.75	0.5	1.125	0.63	2.5	7/16-20	1.84	0.375	5.75
63	0.75	0.75	0.5	1.125	0.63	3	7/16-20	2.19	0.375	5.88
80	1.125	1.25	0.75	1.875	0.87	3.75	3/4-16	2.76	0.625	7.5
100	1.125	1.25	0.75	1.875	0.87	4.5	3/4-16	3.32	0.625	7.5

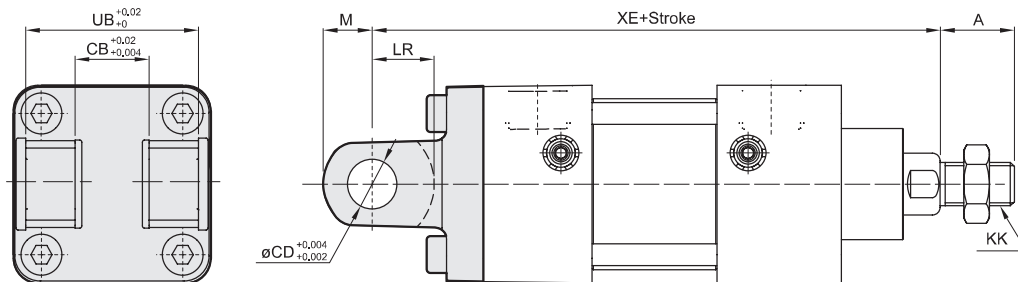
## CB



Unit: inch

Code Tube I.D.	A	CB	CD	KK	M	UB	XC
40	0.75	0.78	0.5	7/16-20	1.24	1.75	5.38
50	0.75	0.78	0.5	7/16-20	1.24	1.75	5.38
63	0.75	0.78	0.5	7/16-20	1.24	1.75	5.5
80	1.125	1.28	0.75	3/4-16	1.88	2.5	6.88
100	1.125	1.28	0.75	3/4-16	1.88	2.5	6.88

## CB2



Unit: inch

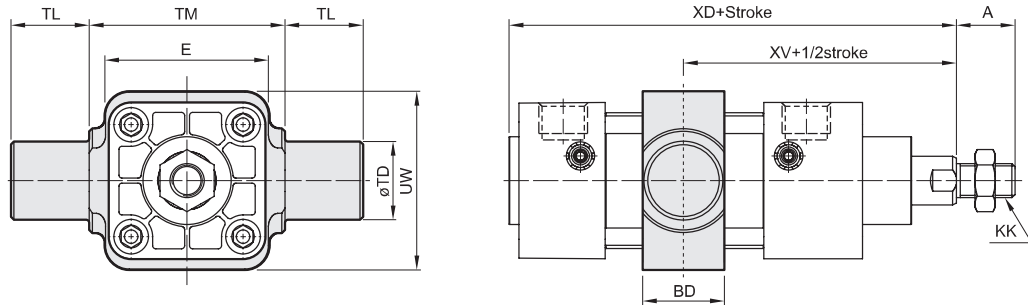
Code Tube I.D.	A	CB	CD	KK	LR	M	UB	XE
40	0.75	0.75	0.5	7/16-20	0.63	0.5	1.75	5.75
50	0.75	0.75	0.5	7/16-20	0.63	0.5	1.75	5.75
63	0.75	0.75	0.5	7/16-20	0.63	0.5	1.75	5.88
80	1.125	1.25	0.75	3/4-16	1	0.75	2.5	7.5
100	1.125	1.25	0.75	3/4-16	1	0.75	2.5	7.5

# MCQN Accessories 40~100 (ø1 1/2"~ø4")

STANDARD CYLINDER



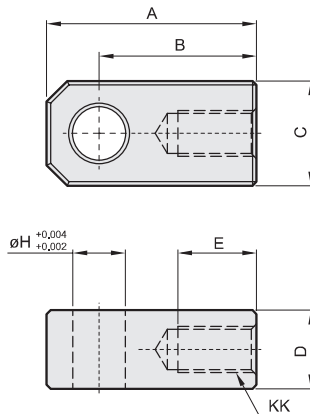
## TC



Unit: inch

Code Tube I.D.	A	BD	E	KK	TD	TM	TL	UW	XD	XV
40	0.75	1.04	2.11	7/16-20	1	2.5	1	2.28	4.94	3.2
50	0.75	1.04	2.6	7/16-20	1	3	1	2.60	5.03	3.32
63	0.75	1.1	3.09	7/16-20	1	3.5	1	3.23	5.07	3.33
80	1.125	1.18	3.7	3/4-16	1	4.5	1	4.17	6.16	4.19
100	1.125	1.22	4.49	3/4-16	1	5.25	1	4.96	6.18	4.19

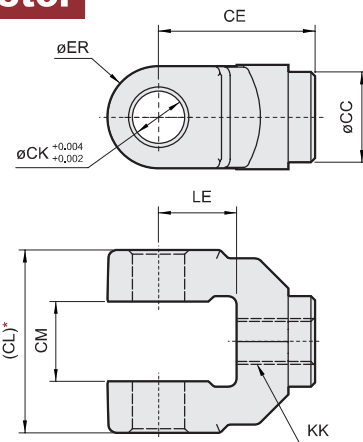
## I connector



Unit: inch

Code Tube I.D.	A	B	C	D	E	H	KK
40~63	2	1.5	1	0.75	0.75	0.5	7/16-20
80~100	2.81	2.06	1.5	1.25	1.13	0.75	3/4-16

## Y connector



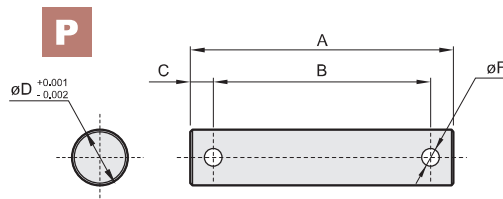
Unit: inch

Code Tube I.D.	CC	CE	CL	CM	CK	ER	KK	LE
40~63	0.87	1.5	1.75	0.765	0.5	1	7/16-20	0.75
80~100	1.34	2.38	2.5	1.265	0.75	1.5	3/4-16	1.25

\* Please do not take the sand casting plate as the mounting plate, because we do not machine it. If you have this special demand, please contact our sales representative.

## PIN

for CB & CB2 accessory and Y & I connector.



Unit: inch

Code Tube I.D.	A	B	C	D	F
40~63	2.36	1.95	0.2	0.5	0.16
80~100	3.13	2.74	0.19	0.75	0.2

